

Victoria's Secret Beauty Light Cover Form

Date: _____

Tech is to complete the form and have it uploaded to the workorder.

Store Number: _____ Mall: _____ City: _____ State: _____

1. What type of Beauty Light Covers does the store have?

- IDX – Large SAJO
 IDX – Small WAM/IDX Magnetic

2. What color are the covers?

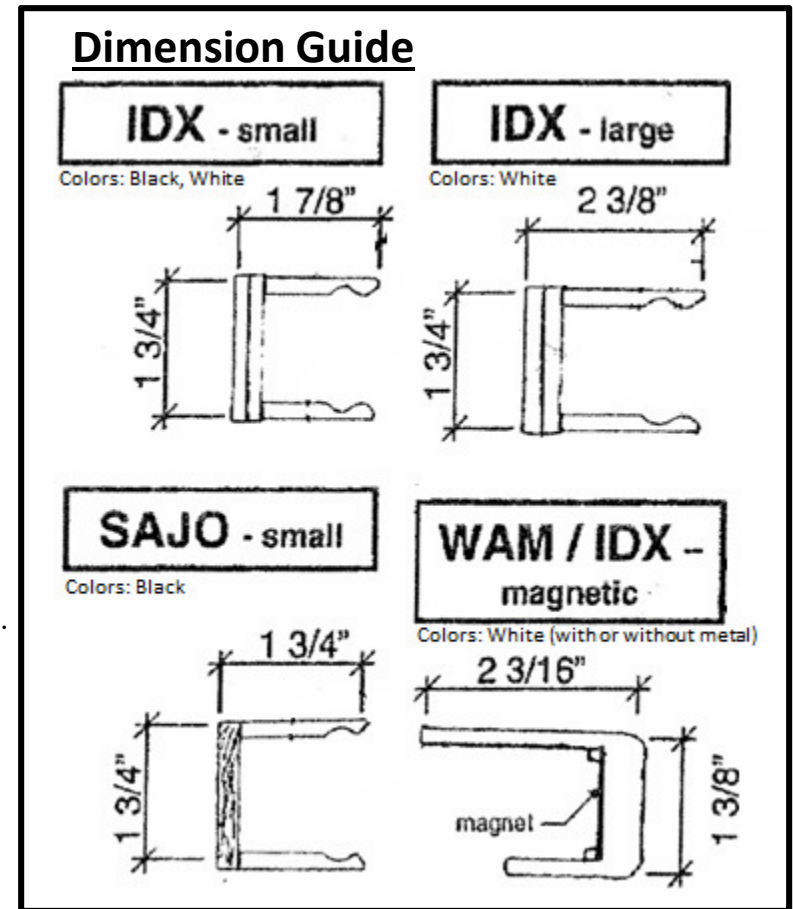
- White with Metal Black
 White without Metal

3. How many 8 ft. covers are needed?

4. How many end caps are needed?

- *If SAJO, specify the number of Long (21") end caps versus Short (15.75") end caps.
 *WAM Covers do not have end caps.

5. Are the shelf fronts glass, mirror, or wooden? _____



Technician's Information

Name: _____ Phone: _____

Address: _____ City: _____ State: _____ Zip: _____

* Technician should note: Each package needs to be opened and inspected upon delivery. If any of the covers are cracked/broken, shipment is to be refused. New covers will be fabricated and shipped. Please notify the Zone Coordinator.